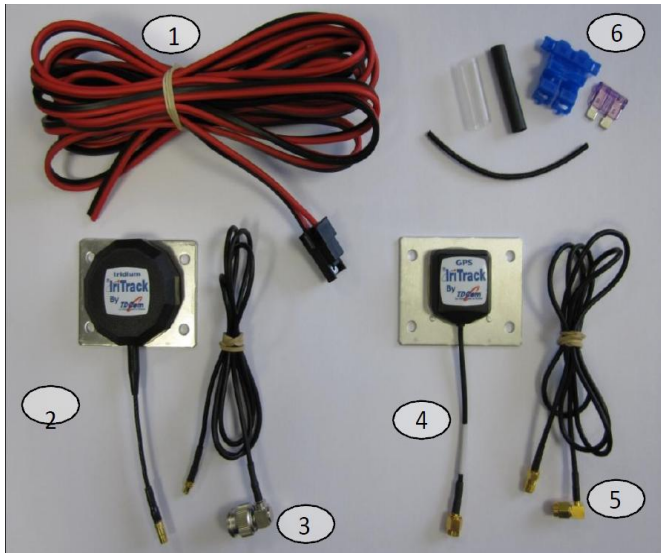


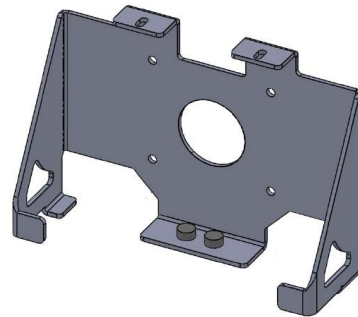
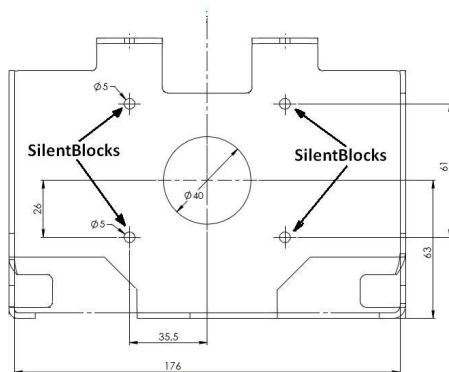


IRITRACK KIT ASSEMBLY INSTRUCTIONS FOR BIKES AND QUADS



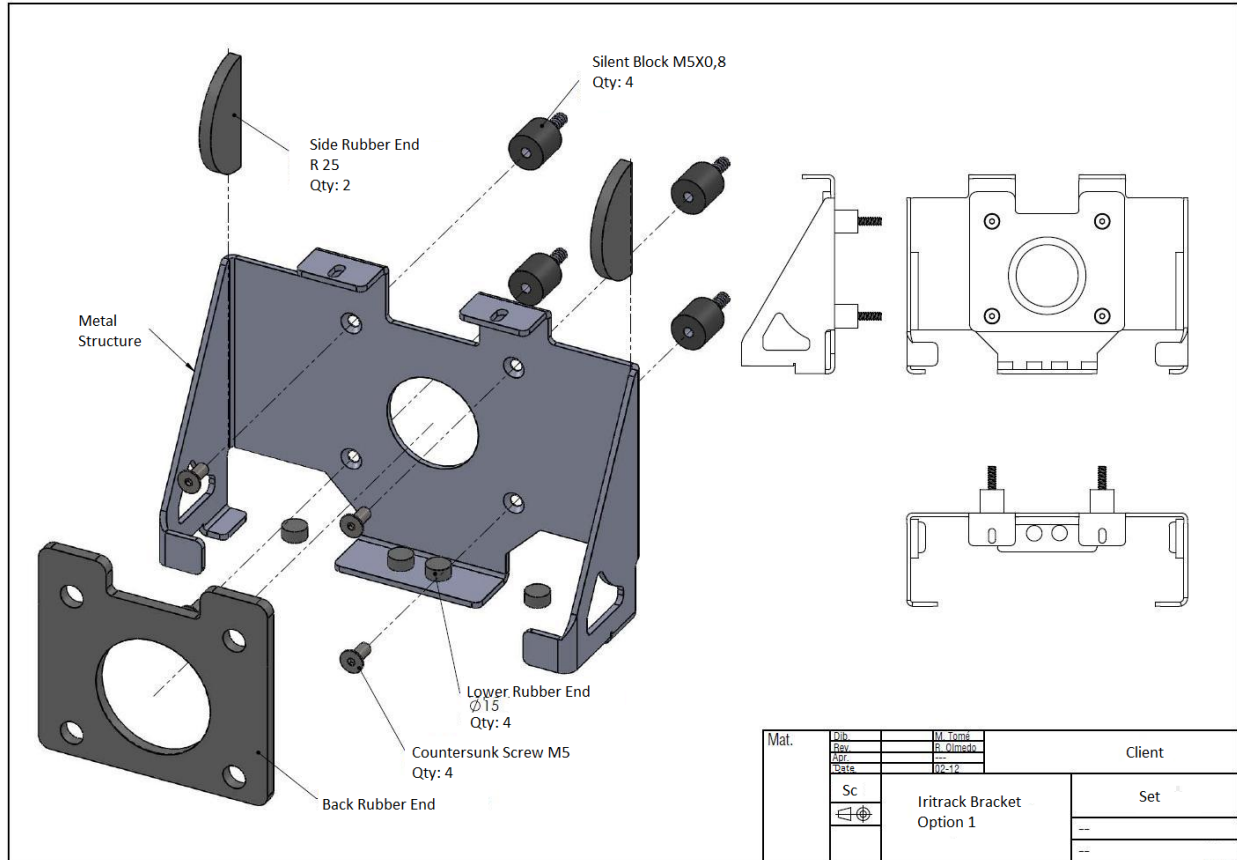
KIT IRITRACK FOR BIKES / QUADS KIT COMPONENTS:

- 1: Bike supply cable 2 m
- 2: Iridium antenna with 10 cm cable
- 3: Iridium cable 1 m
- 4: GPS rectangular antenna on a plate, with a 10 cm cable
- 5: GPS antenna cable 1 m
- 6: Thermocontractable, fuse holder
- 7: Bike / quad bracket



Technical characteristics of the Iritrack:

- Dimensions of the set with no bracket: 175 mm x 125 mm x 48 mm (without plugs and cables)
- Approximately Iritrack: 1,2 Kg
- Operating Environment: - 30°C to + 55°C and storage from -40°C to +65°C
- Consumption under 12V for Iritrack, 300mA on rest, 1000mA on communications



Bracket

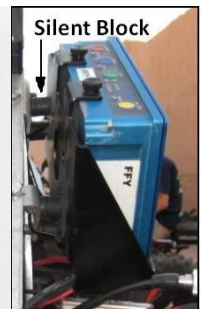


Iritrack has to be compulsorily mounted on a PR4005 bracket. It can be mounted on the steering column and must be compulsorily attached to four Silent Blocks supplied with the KIT. In case you do not have them, you can buy them separately (SIL 51515). While technical verifications are taking place, system mounting and assemble on the steering system will be controlled. If this is not done so, **you will not be authorized** to take part in the competition.

Iritrack must be installed at least a meter away from the floor and it is forbidden to place it in spots where water or mud can directly be received since this can cause the system to fail.

Iritrack buttons must be visible and accessible to the driver in case of emergency.

It is essential to have enough space to place your fingers behind the bracket so as to connect cables: approximately 10 cm.



Power Supply Cable

Iritrack Power Supply Cable must be **compulsorily** placed directly to the battery and avoiding the vehicle's breaker as required by the FIM regulations. Install only a 3A fuse between the battery and the Iritrack. This condition will be verified in the safety verifications the day before of the competition.



Antennas

The antennas must be horizontally installed on the front part of the bike/quad and they must be clear of all obstacles. GPS and IRIDIUM Antenna can be side by side, no problem. It is forbidden to paint the antennas.

Connect the GPS connector of the antenna (SMA) to the Iritrack and then do the same with the Iridium connector (TNC). **Do not confuse** Iritrack GPS antennas with the GPS as such since they work at different voltajes.

It is recommended to check the fixings and cable connectors every day.

IMPORTANT:

Vehicles must attend technical verifications with the bucket, cabling and antennas already mounted.

It is not posible to use the same bracket as the IRITRACK bracket with this GPS model. They should both have separate brackets. If they are mounted together, it would impla a safety rejection in Technical Verifications-

Antena GPS ERTF Antena Iridium Antena GPS Iritrack



Any doubts or questions, please refer to: matiasdalmasso@maseventos.com.ar