



IRITRACK V3 KIT: MOUNTING GUIDE

CAR – SSV – TRUCK

What is Iritrack ?

Iritrack is a real-time satellite (Iridium) tracking and security system providing:

- **Geo-tracking on map of all vehicles equipped with (competitors, organization, rescue,...)**
- **Automatic (inclinometer, decelerometer) & manual (buttons) alarm sending to Race HQ in case of accident, medical emergency, technical/mechanical issue, break/stop**
- **Phone and text message communication with the Race HQ**
- **Live tracking and time passage**

**For more information, please see Iritrack User Guide*

Iritrack is delivered just before the Rally after Marlink's Administrative Checks validation.

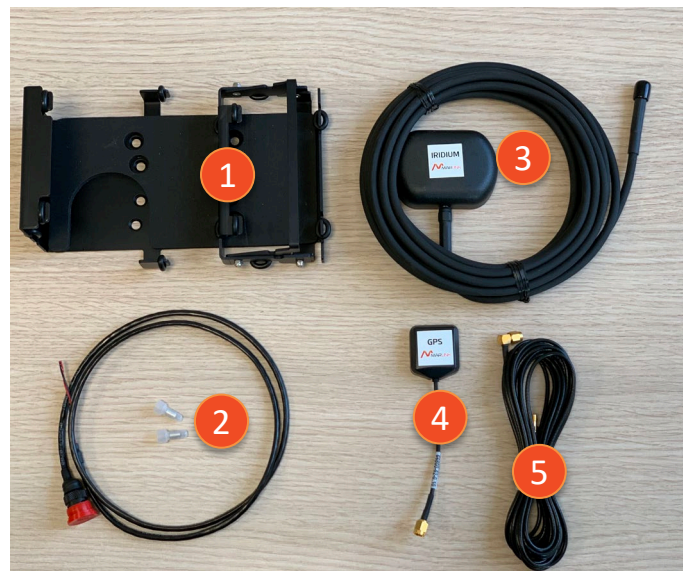
Technical characteristics:

- 1) Dimensions: 180 x 112 x 53 mm (L x l x P), without bracket/cables
- 2) Weight: 830g
- 3) Consumption: 12V, 100mA on rest, 1500mA on communication
- 4) External power supply: Input DC 6-42V (1A)
- 5) Internal battery: rechargeable Li-ion, 6800mAH - 3.75V
- 6) Internal antennas Iridium, GPS et radio
- 7) Microphone and speaker



Kit composition :

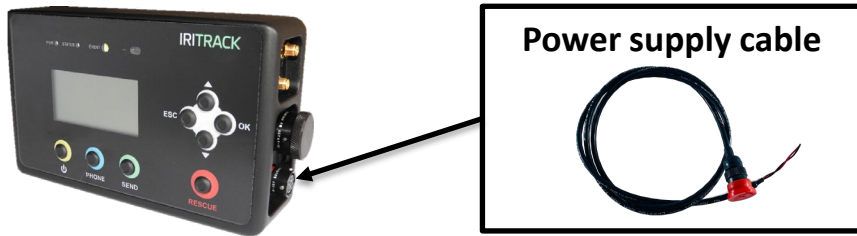
- 1) Iritrack bracket – APR4063
- 2) Power cable 1m with terminals – APR4059
- 3) Antenna Iridium 3m (car/SSV), 5m (truck) – APR4064/4065
- 4) Antenna GPS – APR2861
- 5) Cable GPS 3m (car/SSV), 5m (truck) – APR4030/4032



Marlink e-shop to order your equipment and find more information:

<https://eshop.marlink.com/en/>

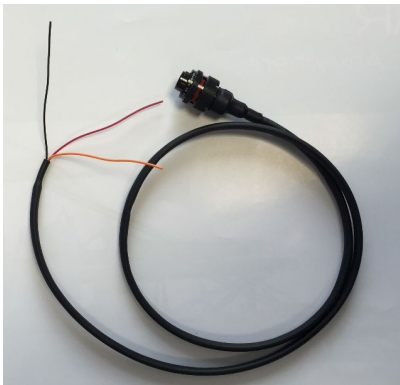
POWER SUPPLY



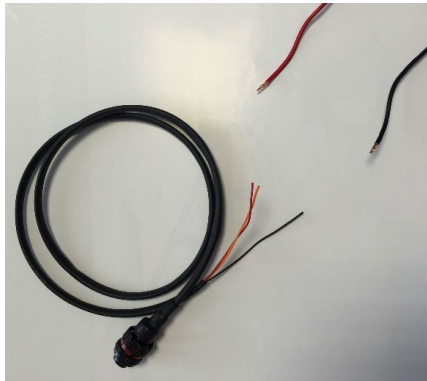
Iritrack must always be powered, from the beginning to the end of the Rally. Power cable must be directly connected to vehicle battery or fuse box (no breaker).

If needed you can link Iritrack power cable to an extension as shown below (not included in the kit but available on our e-shop APR4033).

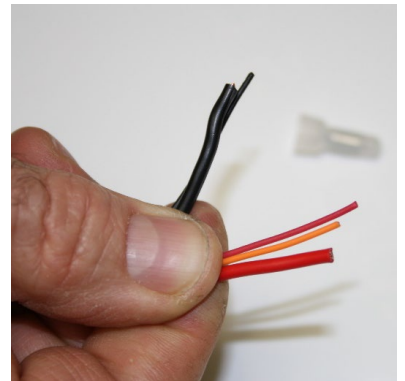
- 1 Prepare your Iritrack power cable, separating black wire from red and orange wires
- 2 Connect extension cable to Iritrack power cable using terminals provided
- red & orange with red
- black with black
- 3 Use a plier for connection
- 4 Connect power extension cable to battery, red wire on +12V/+24V (red terminal) and black wire on negative pole.
- 5 Plug the fuse



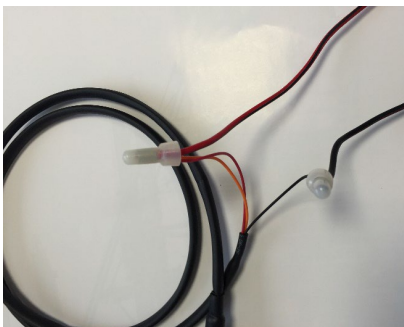
1



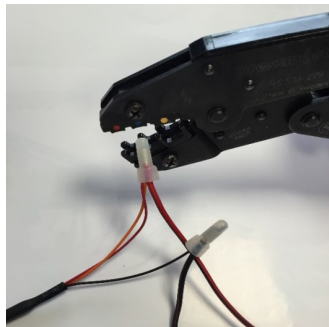
2



2



2



3



4



5

BRACKET

Open the bracket by pulling the right handle.

Make sure to keep 50mm clear space on the right of the bracket to open it properly and respect cable curvatures.



Choose a compliant location for your bracket, from driver or co-driver riding position you must :

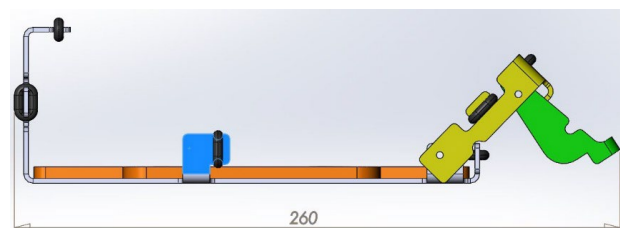
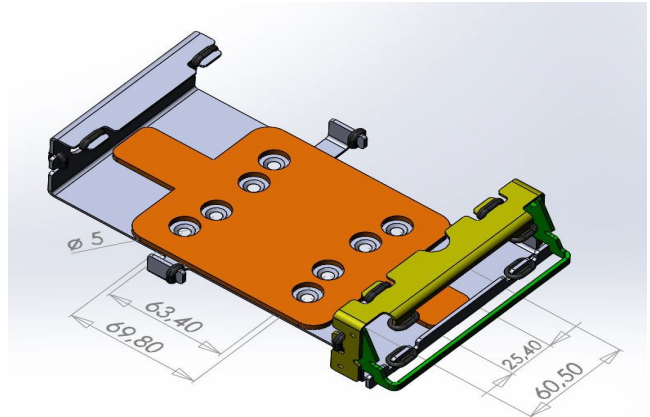
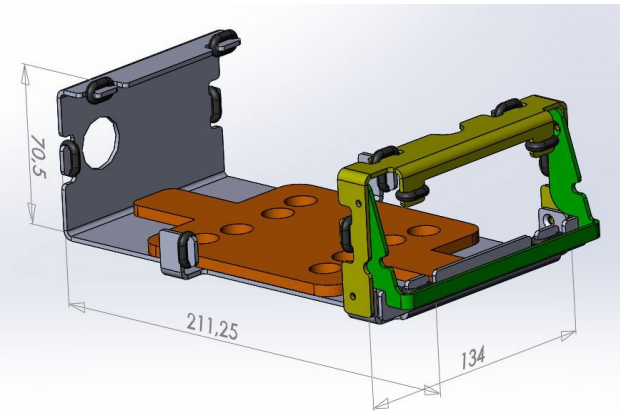
- ✓ Be able to push the buttons
- ✓ Have a clear view on the screen

Top part of Iritrack must be oriented towards windscreen allowing internal antennas transmission (it is forbidden to set the bracket on vehicle ceiling).

SOME INSTALLATION EXAMPLES PAGE 4

An Iritrack remote (to purchase on our e-shop APR4078) is available if you miss space and/or to ease your installation (see page 5).

Bracket dimensions (open & closed) in mm

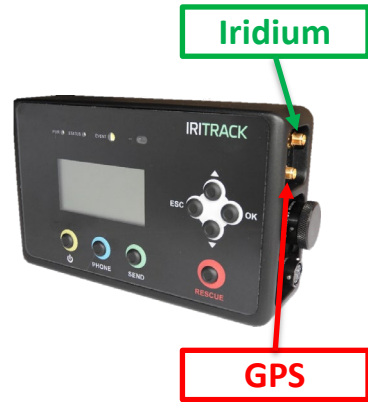


Here are the drilling patterns of the bracket (same as the previous Iritrack):

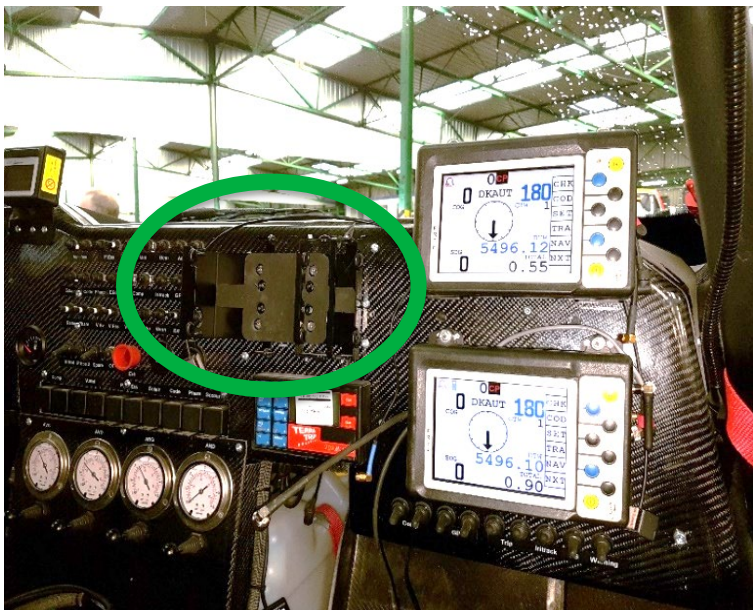
- Width: 69,80 mm
- Length: 60.50 mm
- Drilling diameter: 5 mm

ANTENNAS & CABLES

- 1) Plug & lock GPS cable to its antenna, then put and heat a shrinkable tube on the connection.
- 2) Put magnetic antennas horizontally (GPS & Iridium) on the vehicle roof or hood (metal surface). Antennas can be side by side. It is forbidden to paint them or integrate them in the core of the vehicle.
- 3) Bring antenna connectors to the bracket. Antenna cables should not go through the door seals but in the walls of the vehicle or via a cable gland.



Example of installations: easy access to buttons, clear view on the screen



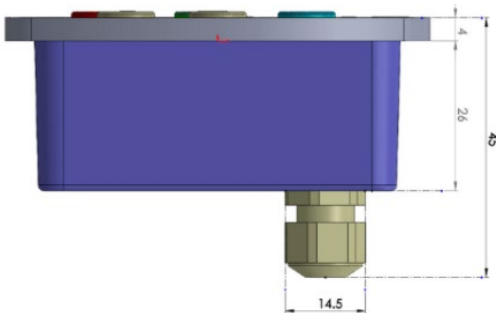
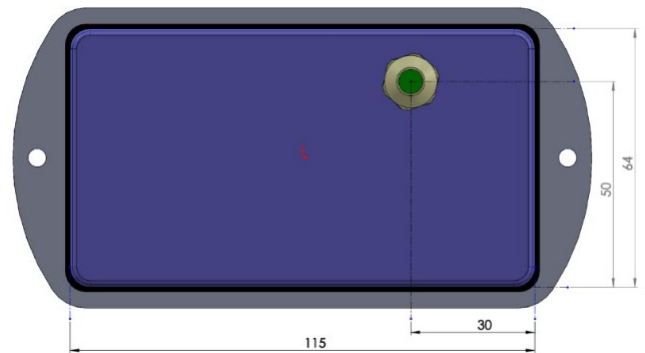
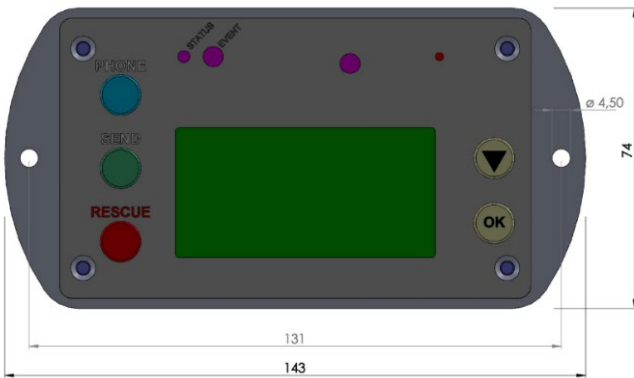


IRITRACK REMOTE: MOUNTING GUIDE CAR – SSV

Iritrack remote is a reduced size Iritrack extension offering equal features (screen, buttons, micro, phone). **Remote must be connected to the Iritrack by a cable integrated to the remote.**

Technical characteristics :

- 1) Dimensions: 143 x 74 x 30 mm (L x W x D), without cable
- 2) Cable gland: 14,50mm
- 3) Weight: 220g,
- 4) Power supplied by Iritrack V3 (5-36VDC) through connector cable



- Remote can be fixed or screwed (\varnothing 4,50mm)
- **Screen and buttons must be visible and accessible**
- Remote does not require to be oriented towards the sky

