



## IRITRACK V3 KIT: MOUNTING GUIDE BIKE - QUAD

### What is Iritrack ?

Iritrack is a real-time satellite (Iridium) tracking and security system providing:

- **Geo-tracking on map of all vehicles equipped with (competitors, organization, rescue,...)**
- **Automatic (inclinometer, decelerometer) & manual (buttons) alarm sending to Race HQ in case of accident, medical emergency, technical/mechanical issue, break/stop**
- **Phone and text message communication with the Race HQ**
- **Live tracking and time passage**

*\*For more information, please see Iritrack User Guide*

*Iritrack is delivered just before the Rally after Marlink's Administrative Checks validation.*

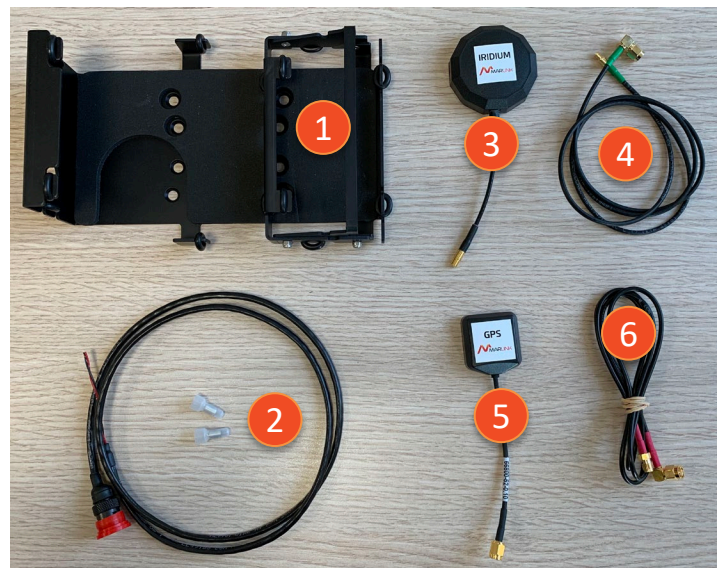
### Technical characteristics:

- 1) Dimensions: 180 x 112 x 53 mm (L x l x P), without bracket/cables
- 2) Weight: 830g
- 3) Consumption: 12V, 100mA on rest, 1500mA on communication
- 4) External power supply: Input DC 6-42V (1A)
- 5) Internal battery: rechargeable Li-ion, 6800mAH - 3.75V
- 6) Internal antennas Iridium, GPS et radio
- 7) Microphone and speaker



### Kit composition:

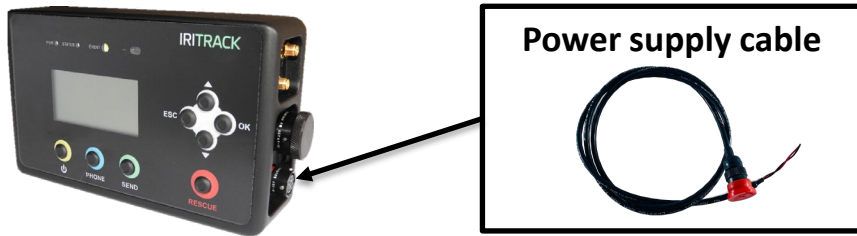
- 1) Iritrack bracket – APR4063
- 2) Power cable 1m with terminals – APR4059
- 3) Iridium Antenna – APR4036
- 4) Iridium Cable 1m – APR4084
- 5) GPS Antenna – APR2861
- 6) GPS Cable 1m – APR4029



**Marlink e-shop to order your equipment and find more information:**

<https://eshop.marlink.com/en/>

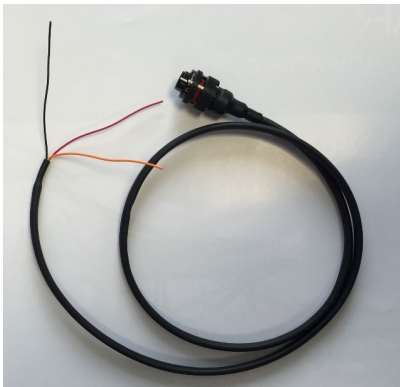
# POWER SUPPLY



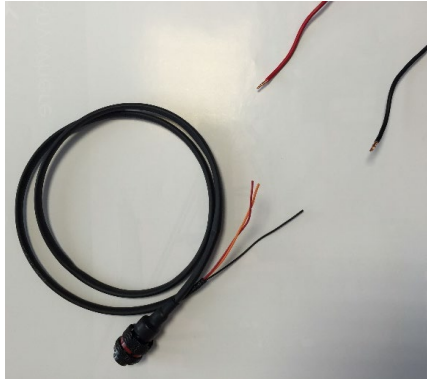
**Iritrack must always be powered, from the beginning to the end of the Rally. Power cable must be directly connected to vehicle battery or fuse box (no breaker).**

**If needed you can link Iritrack power cable to an extension as shown below (not included in the kit but available on our e-shop APR4033).**

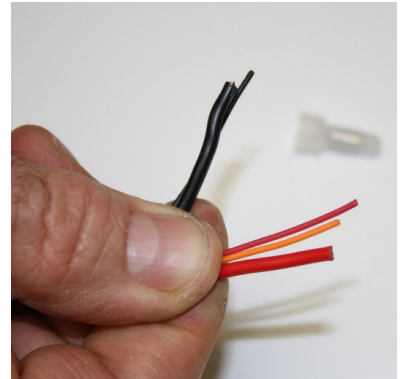
- 1 Prepare your Iritrack power cable, separating black wire from red and orange wires
- 2 Connect extension cable to Iritrack power cable using terminals provided  
- red & orange with red  
- black with black
- 3 Use a plier for connection
- 4 Connect extension cable to battery, red wire on +12V/+24V (red terminal) and black wire on negative pole.
- 5 Plug the fuse



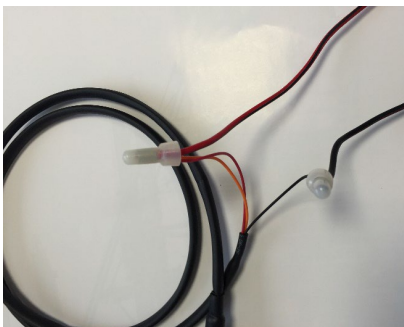
1



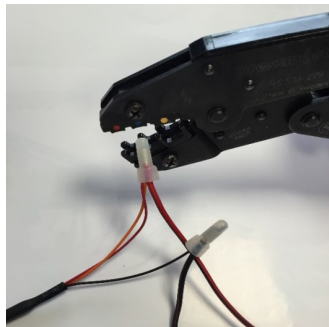
2



2



2



3



4

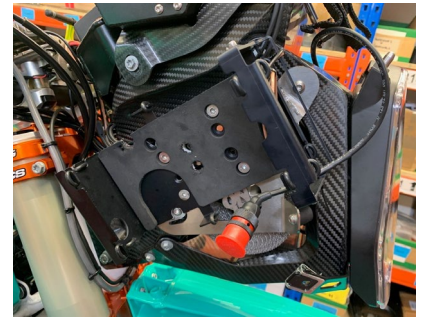


5

# BRACKET

Open the bracket by pulling the right handle.

**Make sure to keep 50mm clear space on the right of the bracket to open it properly and respect cable curvatures.**



**Choose a compliant position for your bracket, when your vehicle in a stop position you must :**

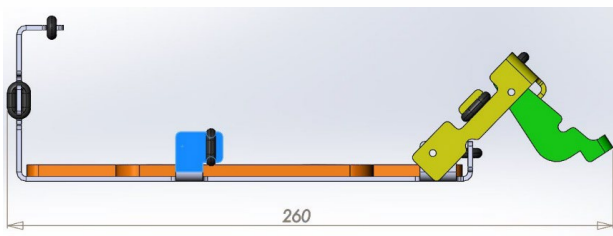
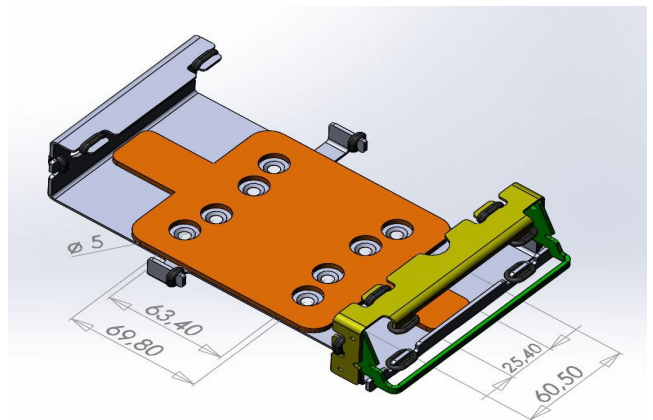
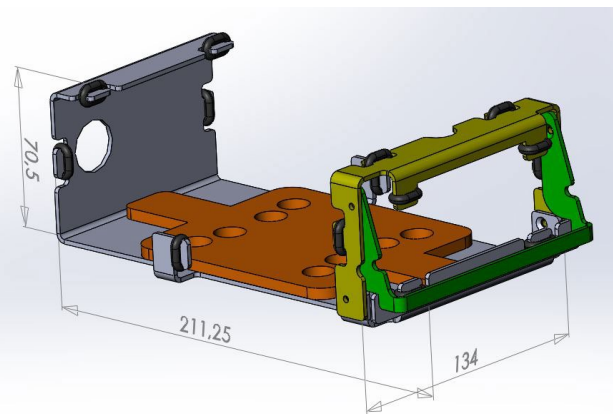
- ✓ have access to Iritrack buttons
- ✓ clear view on the screen

Top part of Iritrack *must be oriented towards the sky* allowing internal antennas transmission

**SOME INSTALLATION EXAMPLES PAGE 4**

*An Iritrack remote (to purchase on our e-shop APR4083) is available if you miss space and/or to ease your installation (see page 5).*

## Bracket dimensions (open & closed) in mm



**Here are the drilling patterns of the bracket (same as the previous Iritrack):**

- Width: 69,80 mm
- Length: 60.50 mm
- Drilling diameter: 5 mm

## SILENT-BLOCKS

The bracket must be installed with a shock absorption system: silent-blocs (available on our e-shop APR4057).

**Without a valid shock absorption system, your installation will be declared as no compliant at the technical checks.**

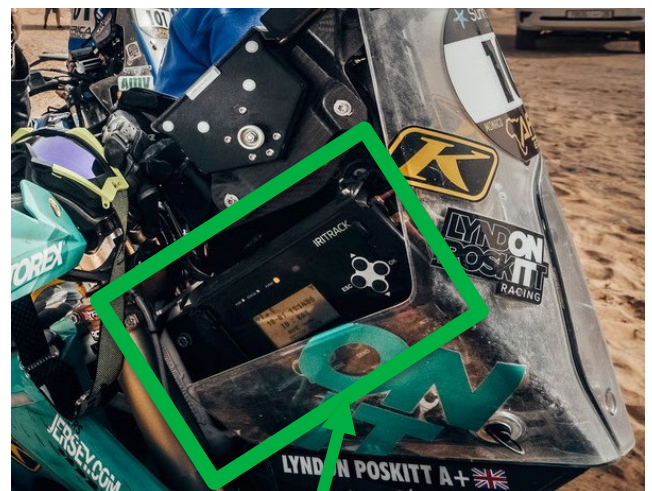


# ANTENNAS & CABLES

- 1) Plug and lock **GPS cable (red)** to GPS antenna (smaller one) and **Iridium cable (green)** to Iridium antenna (bigger one).  
**Put a shrinkable tube on the connector/antenna connection. Be sure to properly lock it before heating the tube.**
- 2) Bring connectors to the bracket
- 3) GPS & Iridium antennas must be set horizontally on your navigation tower (stick, serflex) and clear of any item at 180° towards the sky. Antennas can be side by side.  
**It is forbidden to paint them or integrate them in the core of the vehicle.**



## Example of compliant installations: Access to buttons & screen



Compliant but :

- No view on flash/LED (Push message/HQ call) from your riding position.
- Buttons can be hard to push in case of fall on installation side



**If your setup does not fit compliance criterias, your installation must be done through Iritrack remote (see page 5).**

**Non compliant:**

- X No access to buttons
- X Screen hidden



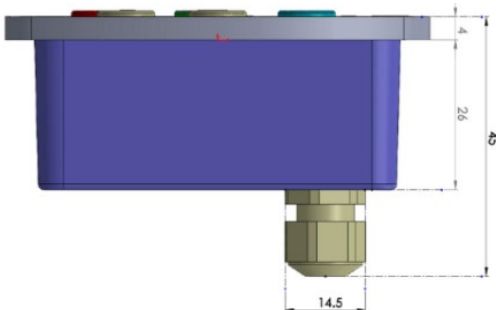
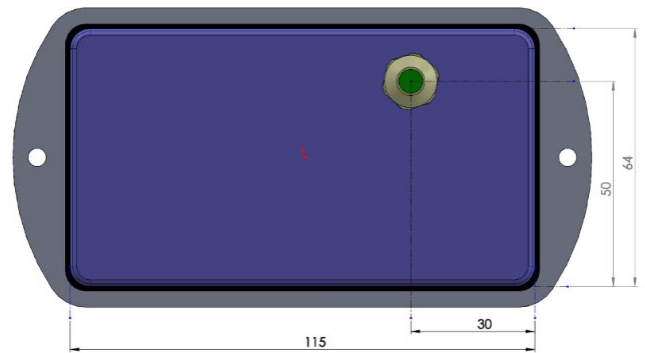
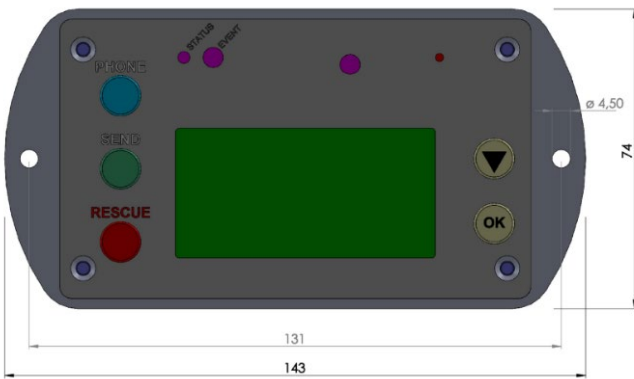
# IRITRACK REMOTE: MOUNTING GUIDE

## BIKE – QUAD

Iritrack remote is a reduced size Iritrack extension offering equal features (screen, buttons, phone, SMS). **Remote must be connected to the Iritrack (which will be in your bike bubble for instance) by a cable integrated to the remote.**

### Technical characteristics :

- 1) Dimensions: 143 x 74 x 30 mm (L x W x D), without cable
- 2) Cable gland: 14,50mm
- 3) Weight: 220g,
- 4) Power supplied by Iritrack V3 (5-36VDC) through connector cable



- Remote can be fixed or screwed ( $\varnothing$  4,50mm) on the navigation tower or handlebar
- **Screen and buttons must be visible and accessible**
- Remote does not require to be point towards the sky



### Compliant installations:

- ✓ Buttons accessible
- ✓ Screen visible

Remote inclination is optimal on these pictures. It allows easy use and reading from riding position.